

ST-PA-LR6 Explosion Proof



ST-PA-LR6-02 ST-PA-LR6-M2



Wall Mount



Horizontal Mount

Descriptions

The ST-PA-LR6 models are innovative LED maintenance-free Explosion-proof Signal Towers. Their robust design, along with pressure and flame-proof housing is ideal for use in potentially flammable and hazardous explosive environments, such as chemical, petrochemical, combustible dust, mineral/natural gas production; as well as for the food and beverage industries.

Features

- Housing: Aluminum alloy
- Glass: Borosilicate glass
- Terminals: Easy wire connection to the Signal Tower by opening the bottom.
- Mounting: Upright, Wall Mount, Vertical-mount, and Horizontal Mount.
- Voltage: 24V DC, 100-240V AC are available.
- Wire core size: 0.5mm²~2.5mm², AWG20~AWG14

ST-PA-LR6 is covered by the specifications shown in the shaded areas below

Country	Area Classification	Classification of hazardous areas			Patlite Model ST-PA-LR6		
		Constant Exposure	Occasional Exposure	Rare and Temporary	Conformity hazardous areas	Explosive atmosphere	Certification authority
Europe	ATEX Directive 94/9/EC	Zone 0 Zone 20	Zone 1 Zone 21	Zone 2 Zone 22	Zone 1,2 Zone 21,22	Gas Dust	EPS

*The ATEX directive is a CENELEC standard.

Specifications

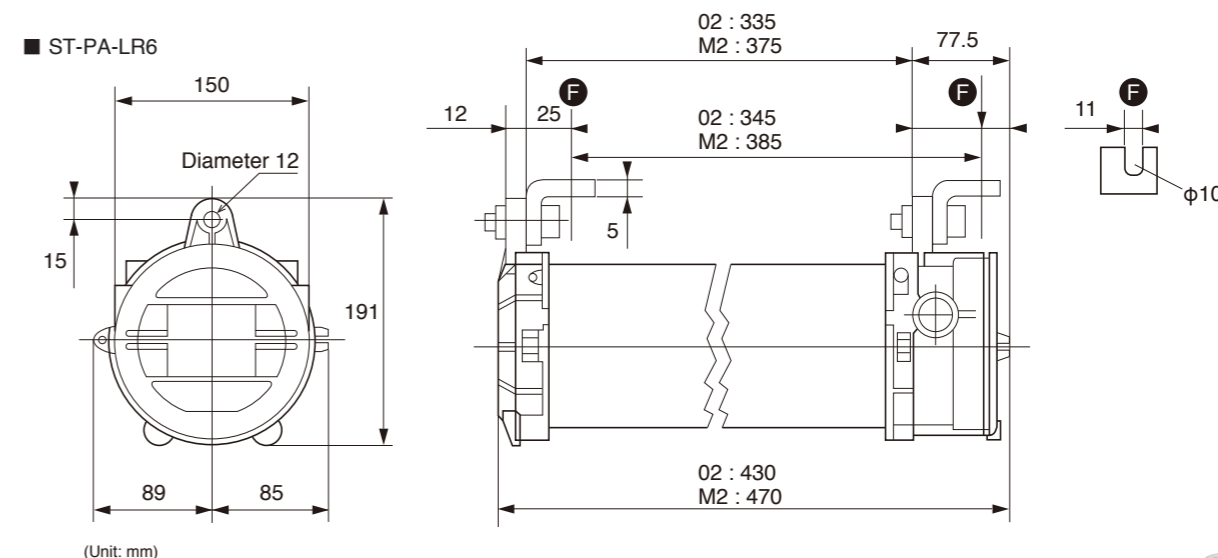
Type	ST-PA-LR6502WJBWRYGBC	ST-PA-LR65M2WJBWRYGBC
Rated voltage	24V DC	100-240V AC
Operating temp.	ATEX Directive: -20°C~+50°C (no ice)	
Lighting pattern	Flashing (60±12 flashes per minute) / Continuous lighting	
Protection Rating	IP66	
Mounting type	Outdoor & Indoor	Upright & Sideways
Mass (Main body)	5.7kg	6.7kg
Cable	10m Cable 10x0.75mm ²	10m Cable 12x0.75mm ²
Material	Upper & Lower case : Aluminum alloy Glass case : Borosilicate glass Bracket : Stainless steel	

Certifications

Certifications		EPS 16 ATEX 1099 IECEx EPS 16.0046 TC-RU C-DE.ME92.B.00342
Marking		
Standards		EN 60079-0, EN 60079-1, EN 60079-31
Guideline		2014/34/EU
Production Certification		EPS 13 ATEX Q 594
CE		2004

CE Ex Testing Authority EPS

Dimensions



Wiring Diagram

The colors are wired to table

Color of wire of signal tower	Wire no. of linebushing ST-PA-LR6-02	Wire no. of linebushing ST-PA-LR6-M2
Red (Light)	R : 1	R : 1
Orange (Light)	O : 2	O : 2
Green (Light)	G : 3	G : 3
Blue (Light)	B : 4	B : 4
White (Light)	W : 5	W : 5
Violet	Buz : 6	Buz : 6
Green/yellow	PE	PE
Yellow	PWR+ : 7	Light COM : 7
Brown	Flash COM : 8	Flash COM : 8
Grey	PWR- : 9	PWR~ : 9
Black		PWR~ : 10
		n.c. : 11

Internal Connection

