



Side-mount Bracket

AR-078

CE II 3GD Ex nA IIC T4 Gc, Ex tc IIIC T85°C Dc IP65 94/9/EC (ATEX) CENELEC: EN 60079-0, EN 60079-15, EN 60079-31

Explosion-safe Signal Tower



AR-078



3/4" NPT
*3/4 NPT Adaptor also available

FEATURES

- Explosion-Safe for gas and dust
- Suitable for Zone 2 and Zone 22
- CE Compliance in accordance to ATEX
- Full and brilliant lumination
- LED double reflection lighting system
- Different lens colors available
- Stackable from 1 to 5 tiers
- Wall mount or direct mount
- Ingress protection of IP65 (IP54 with buzzer)
- Available with "flashing/ non-flashing" and two audible alarm sounds



LED

90db at 1m

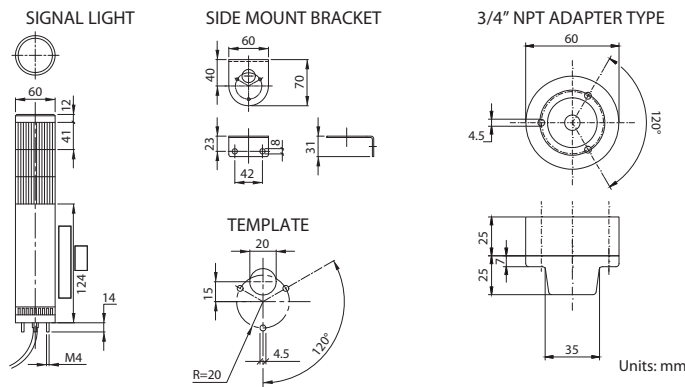
IP65 (IP54 with Buzzer)

Explosion-Safe

Ø60

Explosion-Safe Signal Tower φ60mm with sealed cable

Dimensions



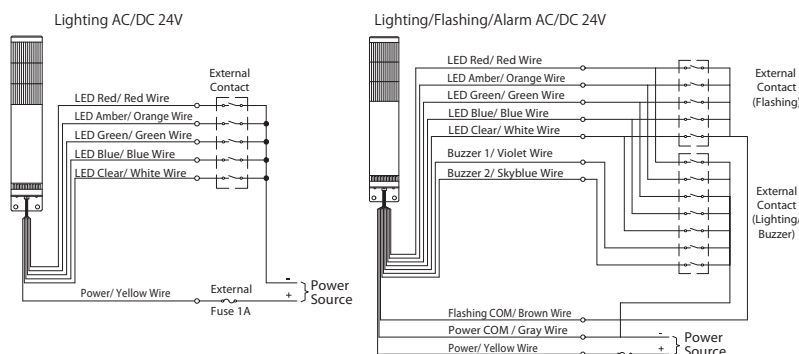
Specifications

Explosion-safety	CE Ex II 3GD; Ex nA IIC T4 Gc; Ex tc IIIC T85°C Dc IP65
CE Conformities	EN 60079-0, EN 60079-15, EN 60079-31
Certification	EC Declaration of Conformity
Ambient Temperature	-30°C - +60°C
Ingress Protection	IP65 to EN 60529
Material	ABS Tower Body
Lighting Source	Multiple LED's with Double Reflection System
Acoustical Source	Buzzer with two different tones: 90dB (at 1m)
Rated Voltage	AC/DC 24V
Assembly Position	As Desired
Activation Time	100%
Module Colors Available	Red, Amber, Green, Blue, Clear/White
Cable	Factory sealed cable, φ8mm, length 3 meters

CURRENT RATINGS

LED		BUZZER	
Signal Line Current		Signal Line Current	Inrush Current
Red, Amber	Green, Blue, Clear		
ab. 30mA	ab. 25mA		

Wiring



How to Order

AR-078-0 1 / -RYGBC

Model Code

1 : Continuous Light
2 : Flashing/ Alarm

Voltage Code
1: AC/DC 24V

Tier Code
1: 1 Tier
2: 2 Tiers
3: 3 Tiers
4: 4 Tiers
5: 5 Tiers

LED Color Code

R: Red
Y: Amber
G: Green
B: Blue
C: Clear/White
(From top to bottom)

Bracket Code

Blank : L Type
N : NPT Type

※ AC type available by special order.