



LME-S/LME-Q

Signal Tower



LED

2 Alarm Sounds (FB Type)

90dB at 1m (FB Type)

IP65

Ø60

Cable

NPN Open-collector



Space-saving, multi-color single-tier LED Signal Tower.



High visibility from any angle Adjustable Volume (Max. 85dB at 1m)



Dual Reflection System

PATLITE's original dual reflection system with its exclusive hybrid prism-cut lens and 5 color LED modules creates a bright, distinctive and even illumination.

FEATURES

- PATLITE's exclusive hybrid prism-cut lens designed for enhanced visibility from any direction and distance.
- Original Dual Reflection System for enhanced light diffusion; creating bright, distinctive illumination while saving energy.
- Two built-in alarms (FB Type) with selectable sound patterns.
- Adjustable volume of up to 90dB (at 1m).
- Direct or pole mount installation.
- Interchangeable Modules need no re-wiring, even after installation.
- PATLITE's single-tiered triple or quadruple colored unit is ideal for applications with limited vertical space.
- Pole-mount installation includes a circular mounting base as standard equipment.
- See "Color Coordination Combination" Section for available colors.

MODEL LME-S AVAILABLE BY SPECIAL ORDER

- Rated Voltage: AC/DC 24V only.
- Body: Silver Color
- Cable: Versatile and flexible 3m cable.
- PNP compatible

How to Order

LME-102UFBW-S1

<p>Rated Voltage</p> <p>02: DC 24V 10: AC 100V 12: AC 120V 20: AC 220V 23: AC 230V</p>	<p>Body Color</p> <p>Blank: Ivory White U: Silver</p>	<p>Color Combinations</p> <p>S1: Red, Amber, Green S4: Red, Green, Blue S7: Amber, Green, Blue Q1: Red, Amber, Green, Blue Q2: Red, Amber, Green, Clear/White Q4: Amber, Green, Blue, Clear/White</p>
<p>Type</p> <p>Blank: Continuous light FB: Flashing/ Alarm</p>	<p>Mount</p> <p>Blank: Pole Mount with circular mounting bracket W: Direct Mount</p>	

Specifications

Series	Stack Number	Model	Rated Voltage	Power Consumption	Mass	
					LME	LME-W
LME-S	1 Tier	LME-102	DC 24V	5.1W	860g	520g
		LME-110	AC 100V			
		LME-112	AC 120V			
		LME-120	AC 220V			
		LME-123	AC 230V			
LME-Q	1 Tier	LME-102	DC 24V	5.1W	680g	520g
		LME-110	AC 100V			
		LME-112	AC 120V			
		LME-120	AC 220V			
		LME-123	AC 230V			

Patlite's unique single-tier unit with triple or quadruple colors integrated.

S1: Red, Amber, Green



Q1: Red, Amber, Green, Blue



S4: Red, Green, Blue



Q1: Red, Amber, Green, Clear/White



S7: Amber, Green, Blue



Q1: Amber, Green, Blue, Clear/White

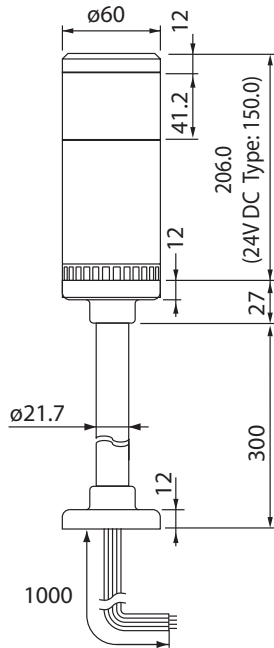


Clear Lens

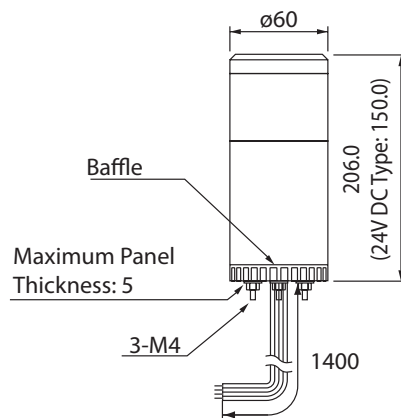
Patlite's new single-tier, multi-color unit is ideally suited for installations requiring a multiple color display but has limited vertical space. The clear lenses are easily distinguishable between lit and unlit lamps, and the unlit look can integrate visually with the equipment it is attached to.

Dimensions

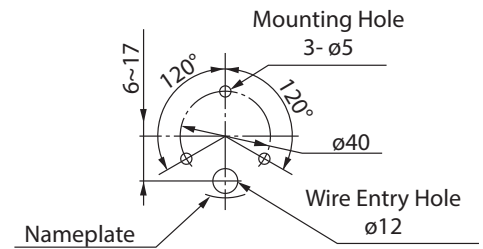
LME Type



LME-W Type



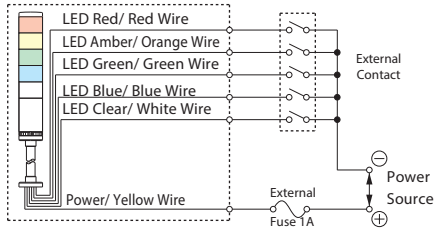
Mounting Dimensions (LME-W)



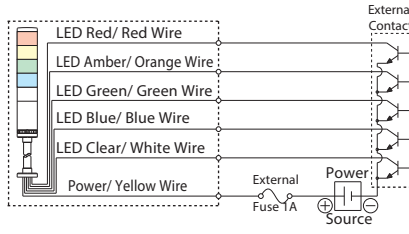
(Unit: mm)



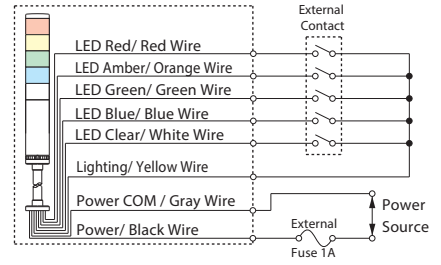
• DC 24V Lighting Type



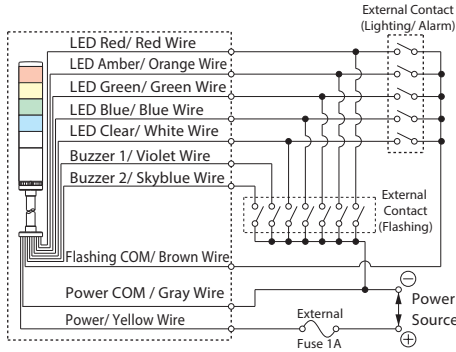
• DC 24V NPN Type



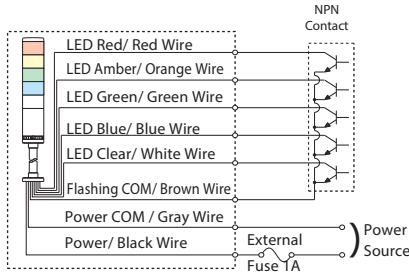
• AC Power Lighting Type



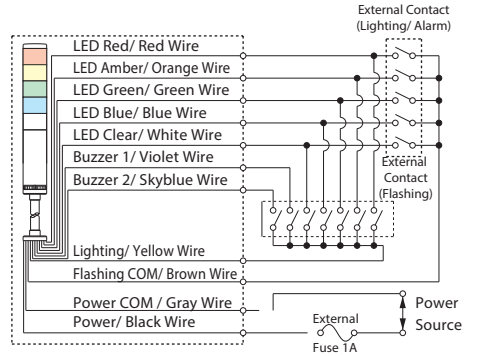
• DC 24V Lighting/Flashing Type



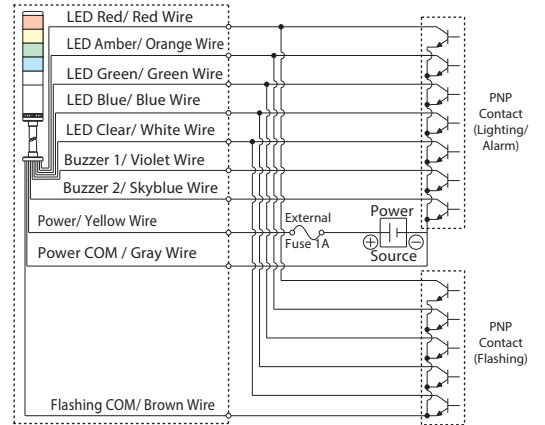
• AC Power NPN Type



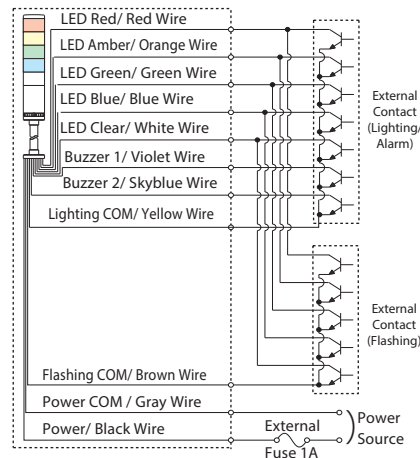
• AC Power Lighting/Flashing Type



• DC 24V NPN FB Type



• AC Power NPN FB Type



LME-S/Q Lead-wire Color Table

	LED Unit Color	Lead Wire Color
S1	Red, Amber, Green	Red, Orange, Green
S4	Red, Green, Blue	Red, Green, Blue
S7	Amber, Green, Blue	Orange, Green, Blue
Q1	Red, Amber, Green, Blue	Red, Orange, Green, Blue
Q2	Red, Amber, Green, Clear/White	Red, Orange, Green, White
Q4	Amber, Green, Blue, Clear/White	Orange, Green, Blue, White

Signal Line voltage and current per LED Module

Rated Voltage	Signal Line Voltage	LED		Alarm	
		Signal Line Current	Signal Line Current	Inrush Current	Inrush Current
		R, Y	G, B, C		
DC 24V	DC 24V	50mA	20mA	40mA	250mA
AC 100V	DC 24V				
AC 120V					
AC 200V					
AC 220V					
AC 230V					

Lead-wire color coordination table

LED Unit Color	Lead Wire Color
Red	Red
Amber	Orange
Green	Green
Blue	Blue
Clear/White	White

Alarm Sounds	Lead Wire Color
Buzzer 1	Purple
Buzzer 2	Skyblue