

# KUS

## Cube Tower



LED

Bulb

1 Alarm Sound

80db at 1m

IP54 (Except KUS-B)

70

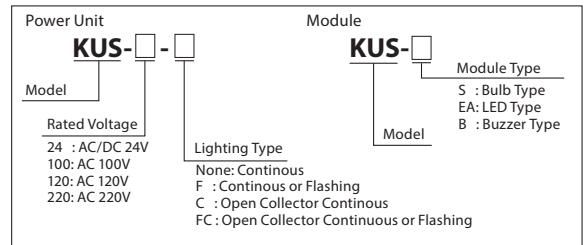


The KUS Series cube tower; uses advanced technology with a modular design to combine two different lights on one unit.

### FEATURES

- Light modules can be stacked up to 4 tiers in any color combination.
- RoHS Compliance for Models KUS-24, KUS24F, KUS-EA-R/Y/G/B/C.
- Lenses are made of heat and shock resistant polycarbonate resin.
- Each light has a built-in dip switch to control the light on or off.
- Maximum power consumption of the base unit is 21 watts.
- Light and Base units are sold separately.
- IP rating of IP54 (Except the KUS-B)
- KUS-F flashes 60 times a minute.

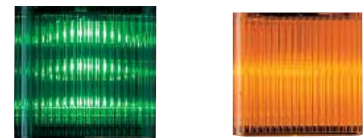
### How to Order



### Specifications

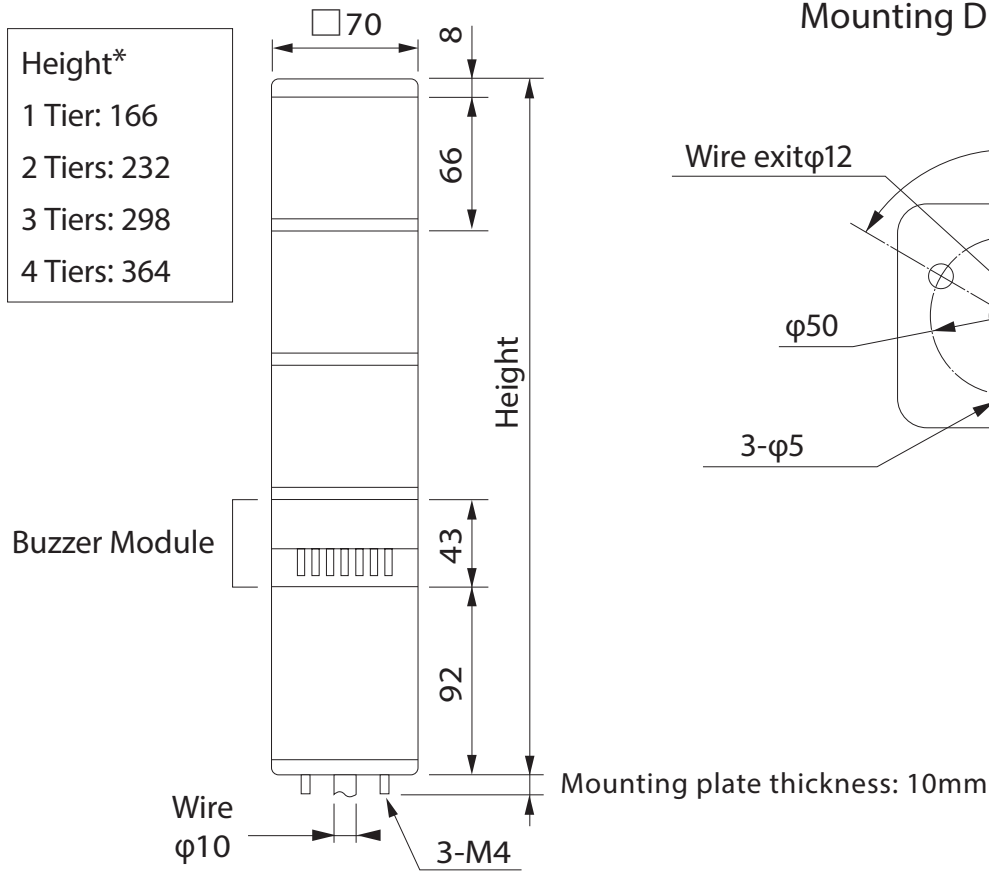
Power Unit	Model	Rated Voltage	Power Consumption	(Image)
Continuous Lighting	KUS -24	AC/DC 24V	21W	
	KUS -100	AC 100V		
	KUS -120	AC 120V		
	KUS -220	AC 220V		
Continuous Lighting or Flashing	KUS -24 F	AC/DC 24V		
	KUS -100 F	AC 100V		
	KUS -120 F	AC 120V		
	KUS -220 F	AC 220V		
Open-Collector Continuous Lighting	KUS -24 C	AC/DC 24V		
	KUS -100 C	AC 100V		
	KUS -120 C	AC 120V		
	KUS -220 C	AC 220V		
Open-Collector Continuous Lighting or Flashing	KUS -24 FC	AC/DC 24V		
	KUS -100 FC	AC 100V		
	KUS -120 FC	AC 120V		
	KUS -220 FC	AC 220V		

Model	Rated Voltage	Power Consumption	Bulb	
			Ratings	Repl. No.
KUS-S (Bulb)	DC 24V	6W	24V 6W	19
KUS-EA (LED)			—	—



Model	Rated Voltage	Power Consumption	Volume
KUS-B	DC 24V	0.5W	80dB (at 1m)



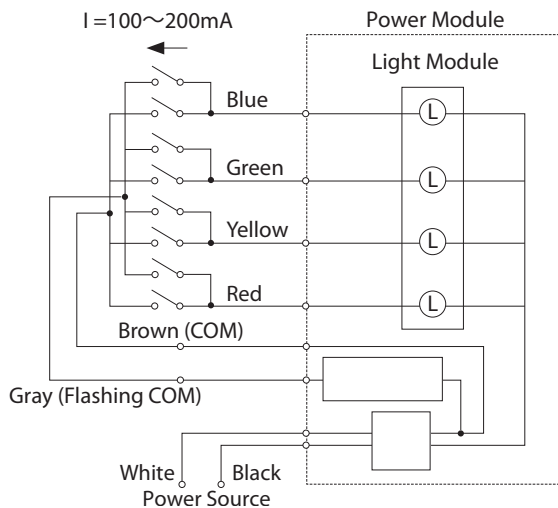


\* Buzzer module height not included

(Unit: mm)

## Wiring

**Contact Input Type**  
(KUS, KUS-F)



**Open-collector Type**  
(NPN/PNP for KUS-FC,C)

