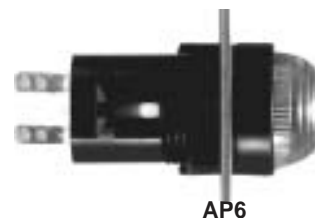
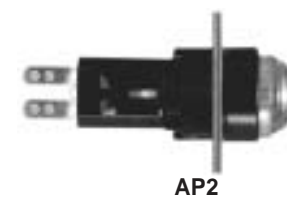
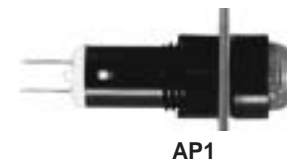
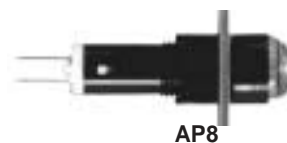
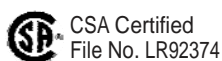


AP Series — Miniature Pilot Lights

Miniature Pilot Lights with Super Bright LEDs

Key features of AP series include:

- Long service life, low maintenance
- Space saving miniature style
- Dome or flat lens models
- Built-in current-limiting resistor and reverse polarity protection diode
- Five illumination colors: red, green, amber, yellow, and white
- AC adaptor (120V AC and 240V AC) and DC-DC Converter (110V DC) options on 12mm and 16mm units



| | | |
|-----------------------|-------------------------------|--|
| Specifications | Lamp | Built-in LED with current limiting resistor |
| | Operational Voltage | 6, 12, 24VDC (full voltage), 110/120, 220/240VAC, (transformer) 110VDC (with converter) |
| | Current Ratings | AP8: 6VDC/18mA, 12VDC/18mA, 24VDC/12mA AP1: 6VDC/18mA, 12VDC/18mA, 24VDC/12mA AP2: 6VDC/33mA, 12VDC/22mA, 24VDC/11mA AP6: 6VDC/33mA, 12VDC/22mA, 24VDC/11mA |
| | Operating Temp. | -20°C to +55°C |
| | Operating Humidity | 45 to 85% RH |
| | Insul. Resistance | 100MΩ min. (500V DC megger) Between live and dead parts |
| | Rev. Withstand Voltage | AP2/AP6: 100V AP1/AP8: 200V |
| | Solder Terminal | Soldering 260°C maximum (5 sec.) |
| | Degree of Protection | AP8: IP40 (dustproof) Other Series: IP65 (oiltight) |





| Optional Adaptors/Converters | | AC Adaptor | DC-DC Converter |
|-------------------------------------|------------------------------|--|--|
| | Applicable Units | AP2 & AP6 (with 6V LED only) | |
| | Operating Voltage | 110/120VAC 50/60 Hz 220/240VAC 50/60 Hz | 110V DC (90 to 140V DC) |
| | Power Consumption | 1.6 VA maximum | 1W maximum |
| | Insulation Voltage | 250 V AC | 140V DC |
| | Insulation Resistance | 10MΩ min. (500V DC megger) Between live and dead parts | |
| | Dielectric Strength | 2,000V AC, 1 minute Between live/dead parts 2,000V AC, 1 minute Between terminals | 2,000V AC, 1 minute Between live/dead parts 1,500V AC, 1 minute Between terminals |



Available as one piece only (replacement LEDs are not available).

Miniature Pilot Lights (Assembled)

Part Numbers: AP Miniature Pilot Lights

| Appearance | Lens Style | Operating Voltage | Part Numbers |
|--|------------|--|----------------------------------|
| AP8 Series - Ø 8mm  | Dome | 6V DC +/- 5% 12V DC +/- 10% 24V DC +/- 10% | AP8M266- AP8M211- AP8M222- |
| | Flat | 6V DC +/- 5% 12V DC +/- 10% 24V DC +/- 10% | AP8M166- AP8M111- AP8M122- |
| AP1 Series - Ø 10mm  | Dome | 6V DC +/- 5% 12V DC +/- 10% 24V DC +/- 10% | AP1M266- AP1M211- AP1M222- |
| | Flat | 6V DC +/- 5% 12V DC +/- 10% 24V DC +/- 10% | AP1M166- AP1M111- AP1M122- |
| AP2 Series - Ø 12mm  | Dome | 6V DC +/- 5% 12V DC +/- 10% 24V DC +/- 10% | AP2M266- AP2M211- AP2M222- |
| | Flat | 6V DC +/- 5% 12V DC +/- 10% 24V DC +/- 10% | AP2M166- AP2M111- AP2M122- |
| AP6 Series - Ø 16mm  | Dome | 6V DC +/- 5% 12V DC +/- 10% 24V DC +/- 10% | AP6M266- AP6M211- AP6M222- |
| | Flat | 6V DC +/- 5% 12V DC +/- 10% 24V DC +/- 10% | AP6M166- AP6M111- AP6M122- |


Color Code

| Color | Code |
|--------|------|
| Amber | A |
| Green | G |
| Red | R |
| White | W |
| Yellow | Y |



1. In place of □, specify the color code.
2. For dimensions, see page A5-212
3. For accessories, see page A5-212.





Part Numbers: Optional AC Adaptors and DC-DC Converters (for AP2 and AP6 only)

| Appearance | Style | Voltage | Part Numbers | |
|---|-----------------|----------------------------|------------------------|------------------------|
| | | | Used with AP2 Series | Used with AP6 Series |
|  Secondary Voltage = 6V | AC Adaptor | 110/120V AC 220/240V AC | AP2-0126D AP2-0246D | AP6-0126D AP6-0246D |
| | DC-DC Converter | 110V DC (90-140V DC) | AP2-016DD | AP6-016DD |



1. Optional AC adaptors and DC-DC converters snap onto the back of AP2 or AP6 pilot lights.
2. AC Adaptors and DC-DC Converters step down to 6V.
3. For dimensions, see page A5-213.

Accessories — AP Series

| Appearance | Description | Used With | Part Number |
|---|--|---|-------------|
| Locking Ring Wrench  | Made of metal. Used for tightening plastic locking ring during installation. Tightening torque should not exceed 3kgf-cm | Ø 16mm units | MT-001 |
| | | Ø 12mm units | MT-002 |
| | | Ø 10mm units | MT-003 |
| | | Ø 8mm units | MT-004 |
| Mounting Hole Plug  | Made of rubber. Fills unused mounting holes to provide IP65 protection | Unused 8mm panel cutouts | AL-B8 |
| | | Unused 10mm panel cutouts | AL-B1 |
| | | Unused 12mm panel cutouts | AL-B2 |
| | | Unused 16mm panel cutouts | AL-B6 |
| Transformer Removal Tool | | AP2 & AP6 snap on transformer & DC-DC converter | MT-100 |
| Replacement Lenses  | Lenses (included with all units). | AP1M Flat | AP1M-L1-□□ |
| | | AP1M Dome | AP1M-L2-□ |
| | | AP2M Flat | AP2M-L1-□ |
| | | AP2M Dome | AP2M-L2-□ |
| | | AP6M Flat | AP6M-L1-□ |
| | | AP6M Dome | AP6M-L2-□□ |
| Replacement Engraving Inserts  | Allow legends under flat lenses (included with all flat lens models). | AP1M Flat | AP1M-P1-W |
| | | AP2M Flat | AP2M-P1-W |
| | | AP6M Flat | AP6M-P1-W |



In place of □, specify the Lens Color Code.

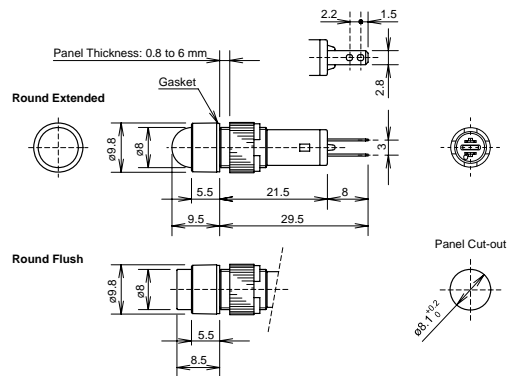
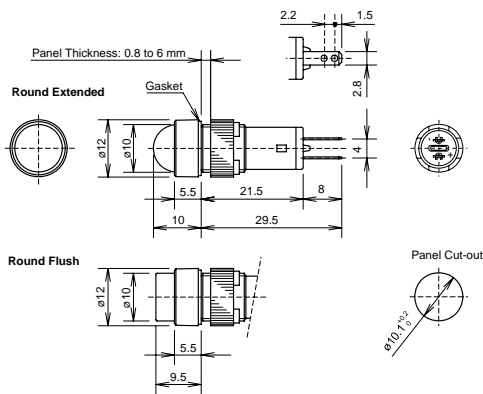
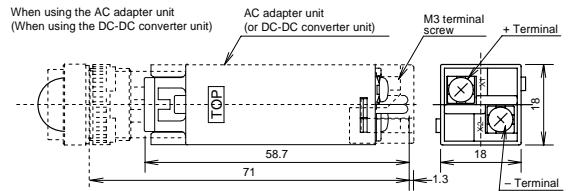
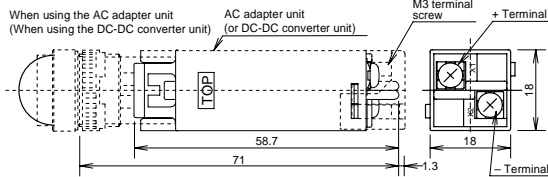
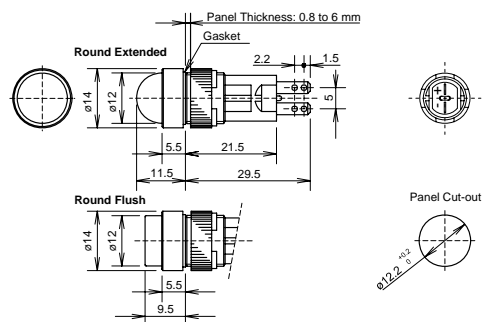
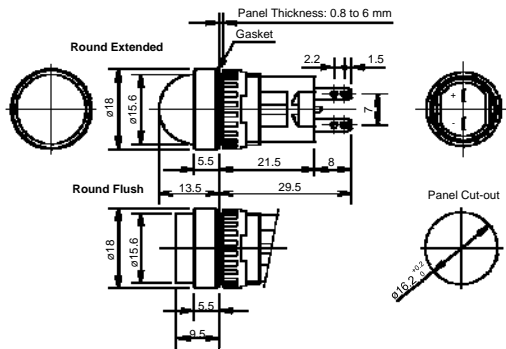
□ Lens Color Code

| Color | Code |
|--------|------|
| Amber | A |
| Green | G |
| Red | R |
| White | W |
| Yellow | Y |

Dimensions — AP Series

Pilot Lights (AP Series)

| Style | AP8 | | AP1 | | AP2 | | AP6 | | | |
|-------------------|--|------|---|------|--|------|--|------|-----------------|-------------------------|
| | Flat | Dome | Flat | Dome | Flat | Dome | w/ Adaptor or Converter | Flat | Dome | w/ Adaptor or Converter |
| Panel Cut-out | Ø 0.319" (+0.0118, -0) 8.1mm (+0.3, -0) | | Ø 0.398" (+0.0118, -0) 10.1mm (+0.3, -0) | | Ø 0.480" (+0.0118, -0) 12.2mm (+0.3, -0) | | Ø 0.638" (+0.0118, -0) 16.2mm (+0.3, -0) | | | |
| Outside Dimension | Ø 0.386" (9.8mm) | | Ø 0.472" (12mm) | | Ø 0.551" (14mm) | | - 0.709" (18mm) | | Ø 0.709" (18mm) | |



Miniature Pilot Lights



Ibérica de Automatismos

Tlf: 94 424 51 13

Fax: 94 423 59 84

E-mail: info@ibericadeautomatismos.com

Web: www.ibericadeautomatismos.com